

4 Port 10Gb Fiber Switch for Ethernet Layer 1,2,3

Baykal Technology, Inc.

www.baykal.com

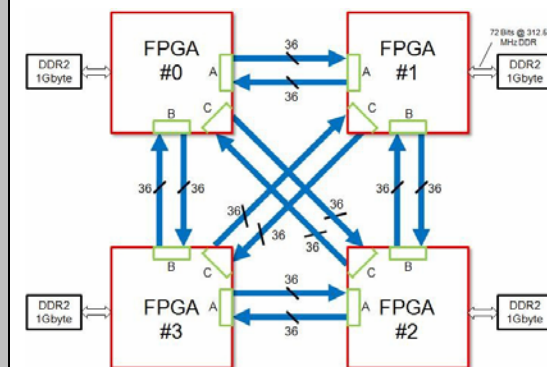
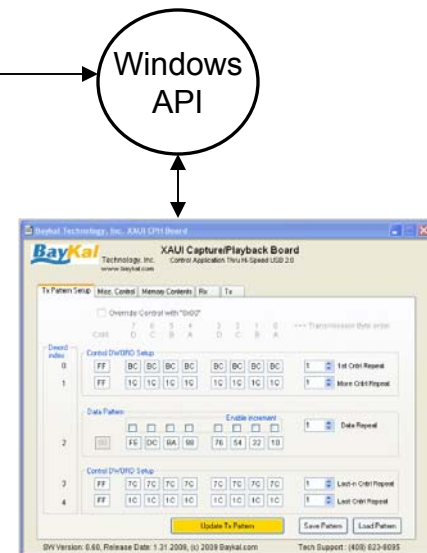
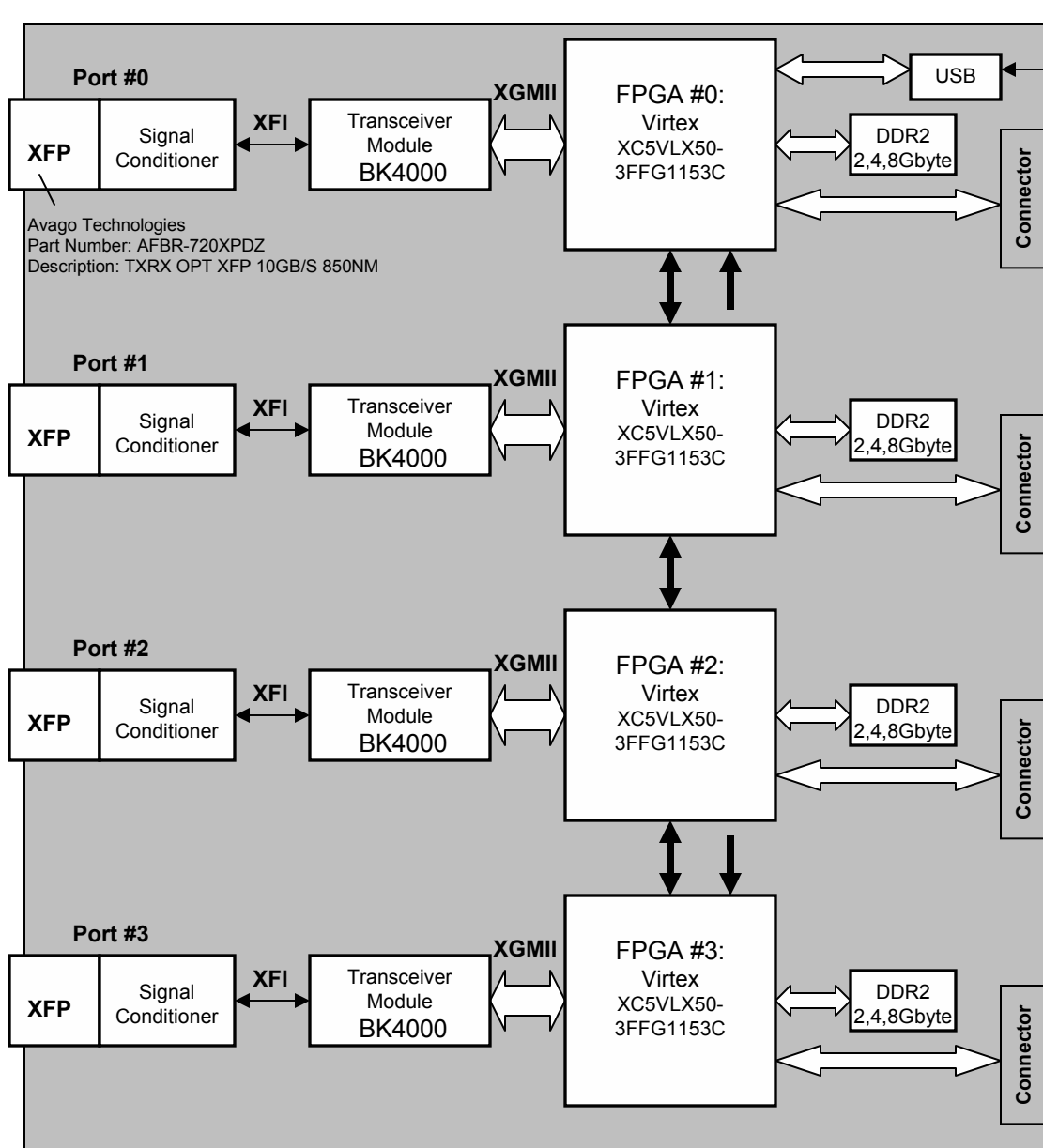
Contact:

Emre Uludemir, Founder

408-823-8095

emre@baykal.com

10Gb/s Fiber 4 Port real-time Ethernet Layer 1,2,3 Packet Processing System

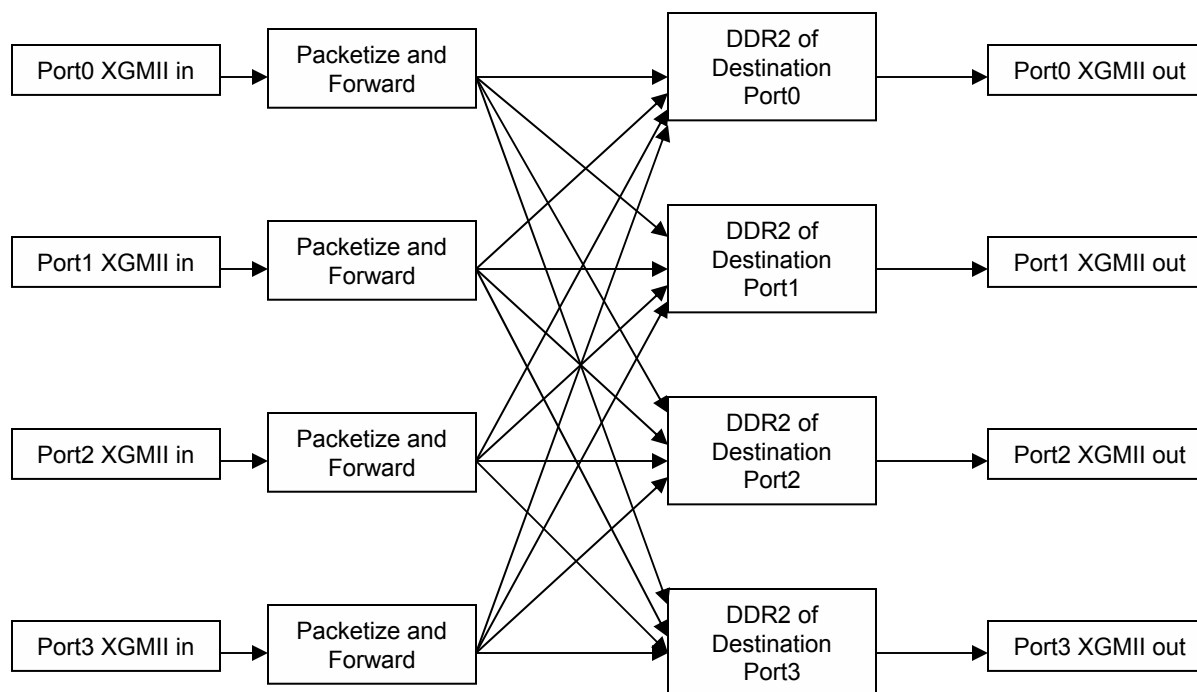


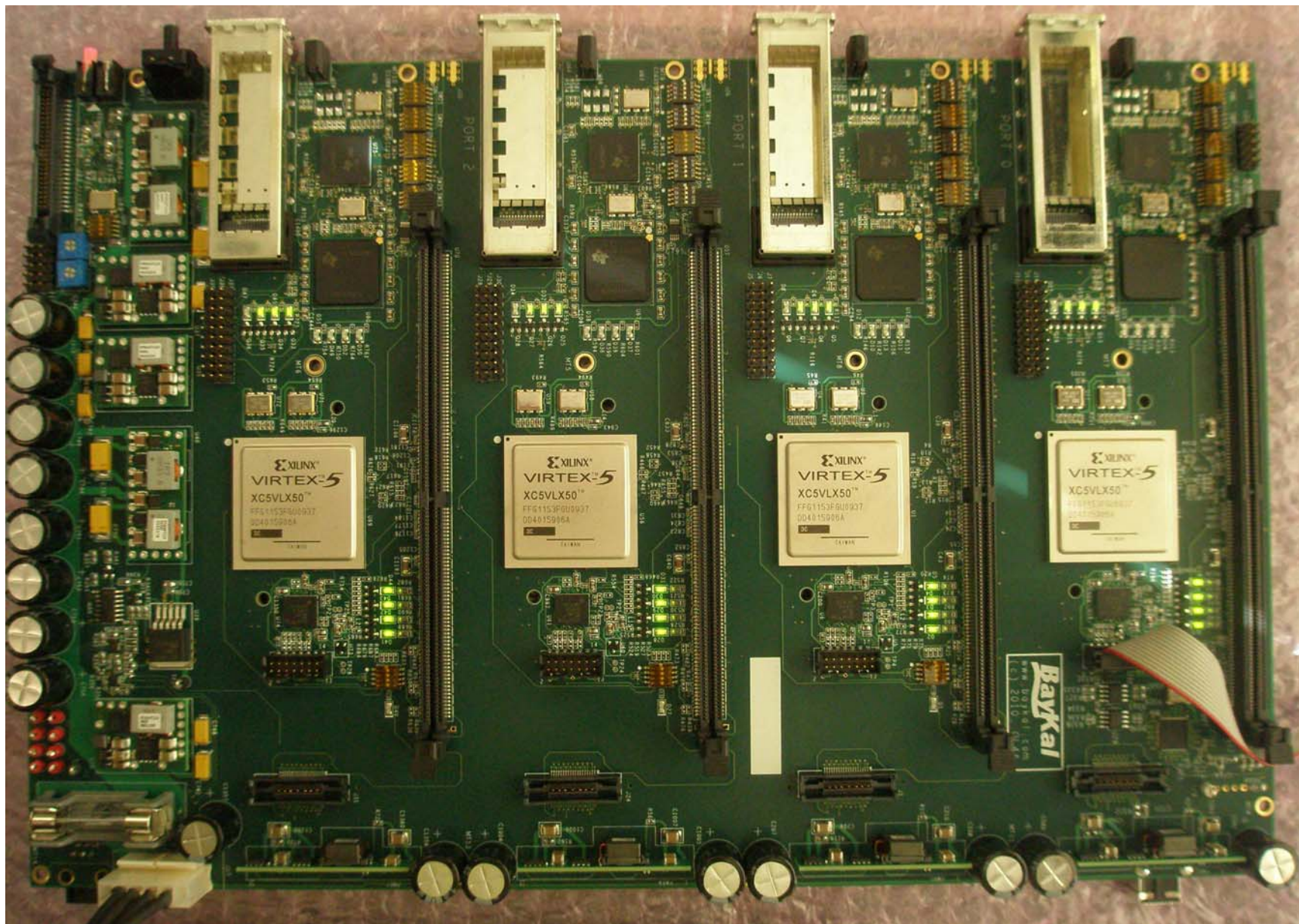
Per Port Bandwidth Calculations

Input Frequency (MHz)	From Transceiver Module BK4000, input XGMII Bus width, Rx and Tx	Single or Double Data Rate	Max Input Rate for each channel (Mega Bits/s)
156.25	36+36 = 72 (Full duplex One Port)	2	21458

Memory Bus Frequency (MHz)	Bus width	Single or Double Data Rate	Memory Bus data rate (Mega Bits/s)
333	72	2	45731

Packet Forward Architecture





QL4A: Four Port 10Gb Fiber Switch for Ethernet Layer 1,2,3